



TAI-SAW TECHNOLOGY CO., LTD.

No. 3, Industrial 2nd Rd., Ping-Chen Industrial District,
Taoyuan, 324, Taiwan, R.O.C.

TEL: 886-3-4690038 FAX: 886-3-4697532

E-mail: tstsales@mail.taisaw.com Web: www.taisaw.com

Product Specifications Approval Sheet

Product Name: SAW Resonator 644.873 MHz SMD 3X3 mm

TST Parts No.: TC0355A

Customer Parts No.: _____

| |
|-----------------------------|
| Customer signature required |
| Company: _____ |
| Division: _____ |
| Approved by : _____ |
| Date: _____ |

Checked by: _____ Hongpu Lin *Hong Pu Lin*

Approval by: _____ Andy Yu *Andy Yu*

Date: _____ 2019/04/25

1. Customer signed back is required before TST can proceed with sample build and receive orders.
2. Orders received without customer signed back will be regarded as agreement on the specifications.
3. Any specifications changes must be approved upon by both parties and a new revision of specifications shall be released to reflect the changes.



TAI-SAW TECHNOLOGY CO., LTD.

No. 3, Industrial 2nd Rd., Ping-Chen Industrial District,
Taoyuan, 324, Taiwan, R.O.C.

TEL: 886-3-4690038 FAX: 886-3-4697532

E-mail: tstsales@mail.taisaw.com Web: www.taisaw.com

SAW Resonator 644.873 MHz

MODEL NO.: TC0355A

REV. NO.: 2.0

A. FEATURES:

1. 1-Port Resonator.

B. MAXIMUM RATING:

1. Input Power Level: 0 dBm
2. DC voltage: 3 V
3. Operating Temperature: -40°C to +85°C
4. Storage Temperature: -40°C to +85°C
5. Moisture Sensitive Level (MSL): Level 1

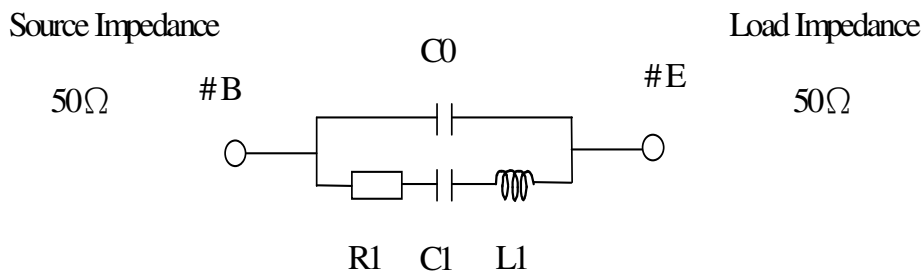
RoHS Compliant
Lead free
Lead-free soldering

C. ELECTRICAL CHARACTERISTICS:

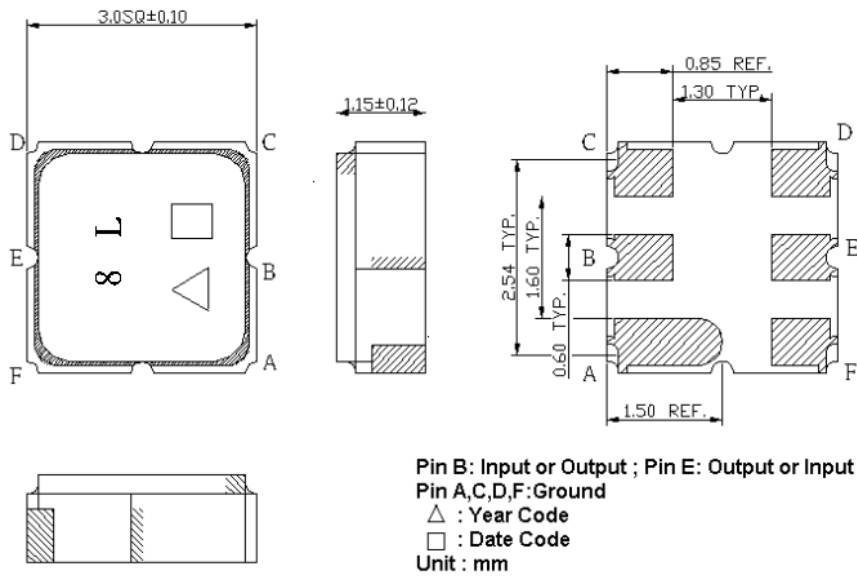
| Characteristic | Units | Minimum | Typical | Maximum |
|--------------------------------|----------------|-------------------|---------|---------|
| Center frequency Fr | MHz | 644.813 | 644.873 | 644.933 |
| Insertion Loss IL | dB | - | 1.5 | 2.0 |
| Equivalent Elements | | | | |
| Motional capacitance C1 | fF | - | 1.30 | - |
| Motional inductance L1 | μH | - | 46.75 | - |
| Motional resistance R1 | Ohm | - | 20.19 | - |
| Parallel capacitance Co | pF | - | 2.62 | - |
| Temp.coeff. | ppm/c*2 | - | 0.032 | - |
| Turnover To | deg.C | - | 25 | - |
| Package size | | SMD 3.0X3.0X1.4mm | | |

D. EQUIVIRENT CIRCUIT:

One-Port Resonator:

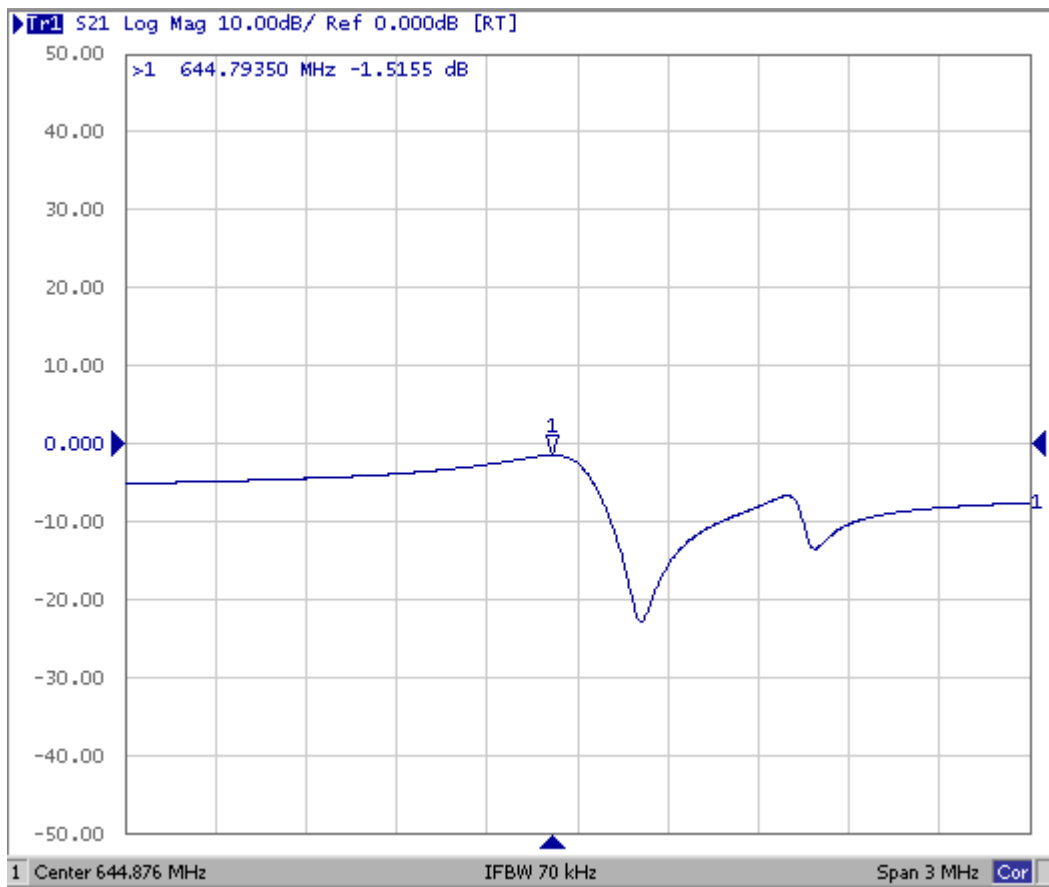


E. OUTLINE DRAWING:

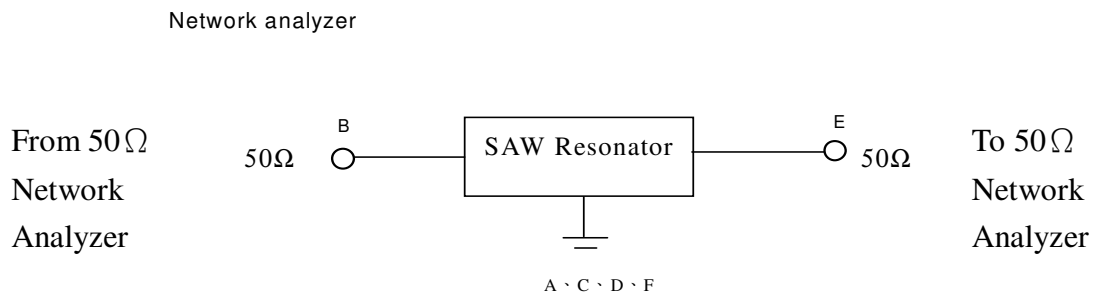


Date code: Provided by planer each year
 Year code: 6 for 2006,7 for 2007,...

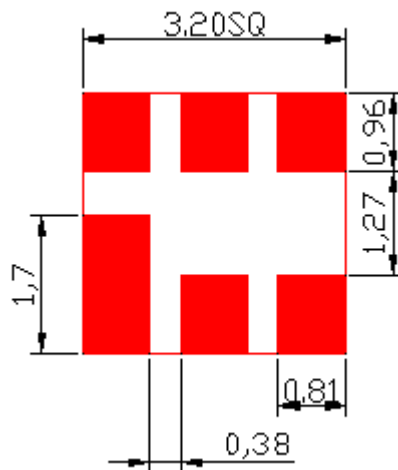
F. FREQUENCY CHARACTERISTICS



G. TEST CIRCUIT:

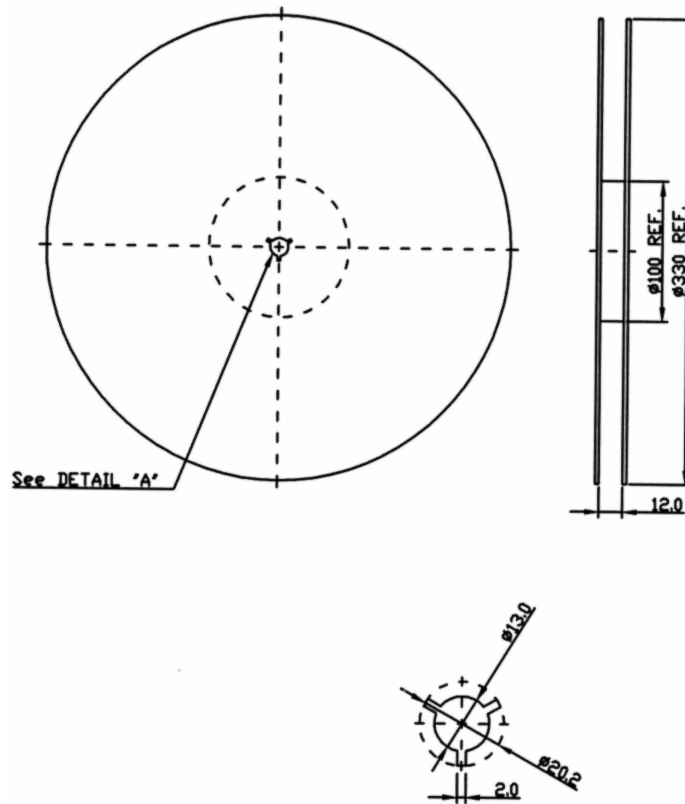


H. LAND PATTERN:

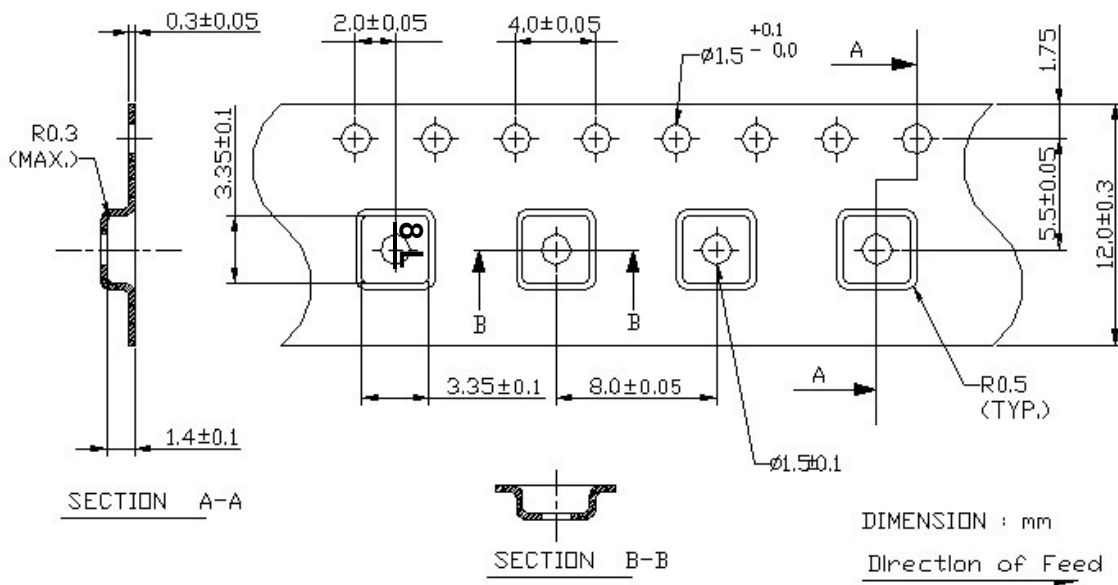


I. PACKING:

1. REEL DIMENSION



2. TAPE DIMENSION



J. RECOMMENDED REFLOW PROFILE:

